

# Rig facts

Seldén's notes

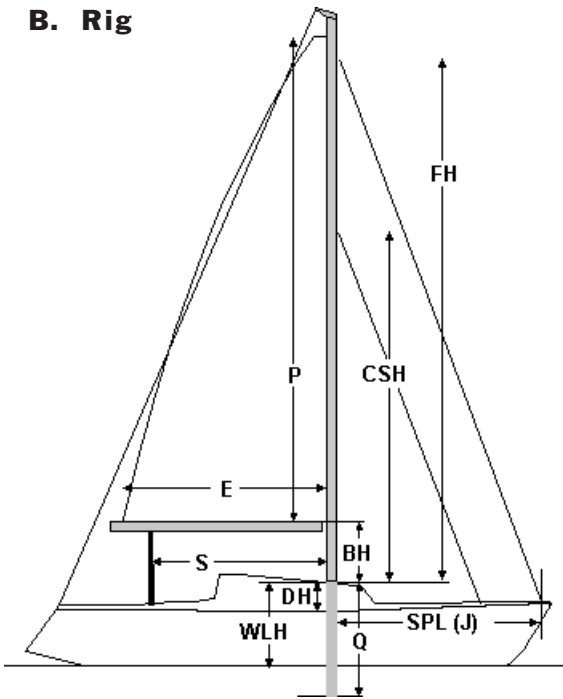
Rig data no.	
--------------	--

595-543-E  
2003-02-18

## Information required for calculation of spars and standing rigging

A. Yacht: ..... Owner: .....  
 Address: .....  
 Telephone: ..... Fax: ..... E-mail: .....

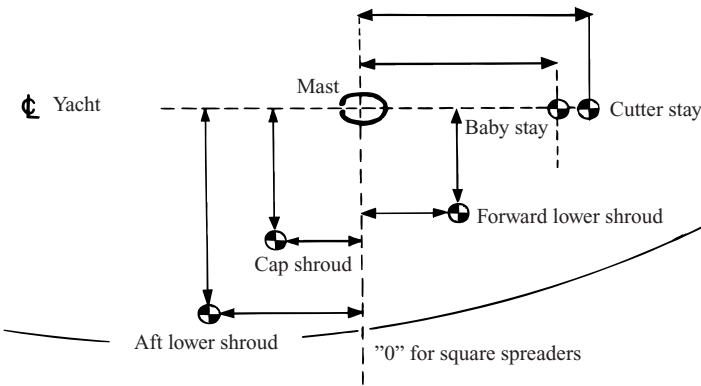
### B. Rig



- Masthead rig
  - Fractional rig
  - Conventional mast
  - In-mast furling mast
  - Tapered mast  
Only conventional mast
  - Deckstepped mast
  - Keelstepped mast
  - Sets of spreaders 1, 2, 3
  - Furlex jib furling system
- Other rigging particulars  
 .....  
 .....

Forestay height FH = ..... (mm)  
 Cutter stay height CSH = ..... (mm)  
 Main sail luff length P = ..... (mm)  
 Boom height (top of boom) BH = ..... (mm)  
 Bury Q = ..... (mm)  
 Main sail foot length E = ..... (mm)  
 Main sheet distance from aft face of mast S = ..... (mm)  
 Spinnaker pole length SPL = ..... (mm)  
 Deck/rooftop height above chainplates DH = ..... (mm)  
 Deck/rooftop height above waterline WLH = ..... (mm)

### Location of chainplates, mm



### C. Righting moment

Alt. 1 Righting moment acc. to IMS 1°/20°/40° (IOR 1°)  
 ..... (kNm)  
 Alt. 2 Righting moment at 30° ..... (kNm) (heeling test/calculated)  
 Alt. 3 For quotation the righting moment can be approximately estimated if the following information is given:

Yacht empty       Yacht equipped

Length over all ..... (mm)      Displacement ..... (kg)  
 Max beam ..... (mm)      Ballast ..... (kg)  
 Draft ..... (mm)       Bulb/Wing keel

Centerboard draft  
 board up/down ..... / .....

Ballast  
 board/other ..... / .....

Please check and sign this form and return it to Seldén.

.....  
 Date .....

Signature ..... Blockletters .....

Confirmed to customer, (Seldén's notes)  
 Date ..... Att. ....

Remark: Measurements on which calculation of lengths of standing rigging shall be based, see overleaf.

